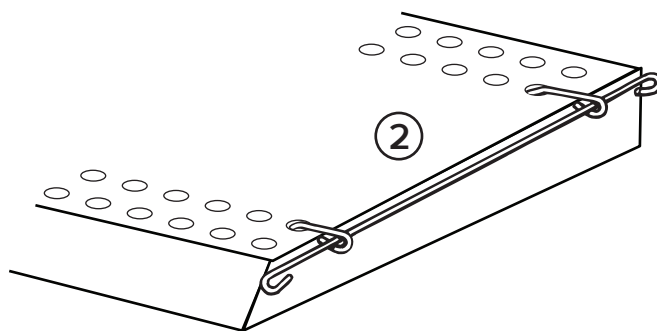


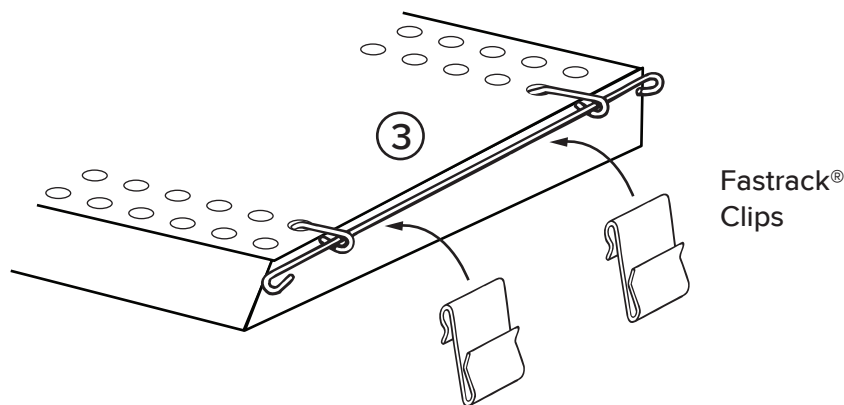
①

Slide the feet of the Power Bar left and right to line up with the holes on the shelf.



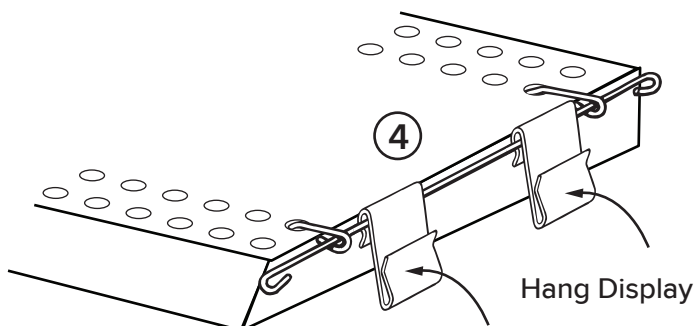
②

Insert feet of the Power Bar into the holes on the shelf.



③

Hang small loop of Fastrack® Clips onto the Power Bar.



④

Hang display from Fastrack® Clips. Installation is complete.

20190516